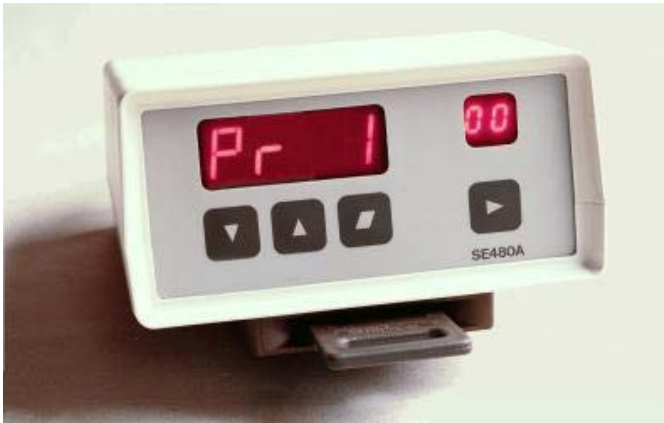


## Pouring Automat SE480A

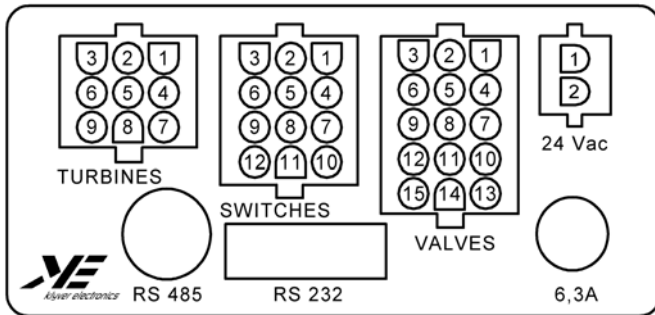
The pouring automat **SE480A** is used for pouring draught beer, sodas and wine. 3 pouring methods are available:  
 -Automatic pouring by means of pushbutton (4 sizes per tap).  
 -Manual pouring by means of pushbutton.  
 -Manual pouring without pushbutton.

All 3 methods can be applied to taps using flowtransmitters for counting and/or controlling the portions.  
 Method 1 and 2 can also be applied to timer-controlled taps.  
 Pouring can only be accomplished by inserting a user card with correct code.  
 Each waiter's sale is registered both by value and by the number of pouring per tap and size.



**Front view of the pouring automat.**  
 There are two displays, a large 4-digit display plus a smaller 2-digit display.  
 The unit is operated by means of 4 pushbuttons and a card reader.  
 Shown here with waiter card.

<b>Number of tabs</b>	8 taps is maximum. Up to 4 taps flowtransmitter-controlled with SE525C. Up to 8 taps timer-controlled, or a mixture of transmitter- and timer-cont. 4 sizes per tap.
<b>User Cards</b>	<b>Waiter Card.</b> For pouring. <b>Inspector Card.</b> For balancing and clearing the sale, changing the prices/portions, plus for inhibiting certain waiters, inhibiting selected taps and changing happy day/hour periods. Up to 9999 different cards per restaurant. 17 waiter-/inspector cards can access the unit between every clearing of sales. <b>Settling Card.</b> For reading and printing all sale of the day.
<b>Super user Cards</b>	<b>Service Card.</b> For installation, maintenance and cleaning. <b>Cleaning Card.</b> For cleaning the installation (tubes etc). <b>Distributor Card.</b> The functionality of all the mentioned cards in a single card.
<b>Security</b>	A hidden restaurant code ties every user card to the restaurant. A hidden group code can be used to tie waiter cards to certain bars within the restaurant. Possibility for inhibiting up to 25 waiters. Protection to the super user cards is accomplished by means of access codes.
<b>Prices</b>	3 price groups are accessible: Normal prices, happy-days prices and happy-hours prices. Switching between the 3 price groups can be done manually by the inspector or automatically by the built-in real-time clock. The inspector can program happy-days period with 24 hours interval, and happy-hours period seven days in total.
<b>Networking</b>	The built-in network can be used to connecting up to 32 pouring automats and a Control-Terminal, plus for sharing printers. A single waiter card can open more than one automat. The network is also used for automatic synchronization of the automats real-time clocks. With the Control-Terminal SE460A connected, total sale and settings etc. from all pouring automats can be registered and optional send to printer or PC.
<b>Printer</b>	Standard RS-232 serial output for printer connection. Waiter can print his own sales figures. The inspector can print total sale plus all settings. By using the built-in network a number of pouring automats can share a printer.
<b>Other connections</b>	Signboard lamp. Turned on by the waiter card. Happy hours lamp is turned on, when the happy-hours price group is active.
<b>Dimensions/Weight</b>	197 x 137 x 83 mm (length x width x height). Weight incl. hanger 1,1 kg.
<b>Mounting</b>	The pouring automat can be mounted under the desk by means of the enclosed hanger. Optional a 'slant-desk' holder is available for mounting on top of table.
<b>Power supply</b>	24V ~ac. Grounding not required. SE415A.



#### Rear view of the SE480A.

**Turbines** connection of up to 4 flowtransmitters.

**Switches** connection of up to 4x8 start – pushbuttons for pouring.

**Valves** connection of up to 8 valves.

**24V~ac** main adaptor connection (SE415A)

**RS485** for network connection.

**RS232** for printer connection.

Also, the 6,3A fuse is accessible from the rear end.

**Optional accessories** **User card** SE420A -xx. (3 waiter + 1 inspector card enclosed as standard)  
(To be ordered separately)  
Made of ABS plastic. Dim. 85 x 40 x 5 mm. Weight: 14g

SE420A -F0. Waiter, brown  
SE420A -F1. Inspector, blue  
SE420A -F2. Manager, green  
SE420A -F6. Settling, lilac  
SE420A -FA. Cleaning, grey  
SE420A -FB. Service, yellow  
SE420A -FC. Distributor, black



**Mains transformer** SE415A. 230V~ – 24V~ 50-60 Hz 5A

**Flowtransmitter** SE525C14B3

**Printer** SE427A. Thermal high-speed Serial RS232 printer.

Comes with mains adapter SE428A, cable and 2 x 80 mm paper roll.

**Control-Terminal** SE460A. Data-accumulation from all pouring automats connected to the RS 485 network, and interface to PC/cash register plus data listing on PLU-no.

**Slant-desk** SE407A. Tabletop holder.

**Network cable** SE433A-2. Cable with plugs. 2 metres.

**Network linker 3 ways** SE431A. Connecting several network-units together.



Klyver Electronics A/S  
Blokken 65  
DK-3460 Birkerød  
Denmark

Tel.: +45 45 82 23 30  
Fax: +45 45 82 23 29  
E-mail: [info@klyver.dk](mailto:info@klyver.dk)  
Web: [www.klyver.net](http://www.klyver.net)